

Cable clips

for an optimized cable routing

- Quick and simple mounting
- High UV – resistance (polyamide material)
- Perfect edge protection
- High impact resistance
- Protects your cables



In the majority of installations, cables are fastened with simple cable ties. These do, however, become brittle very quickly, particularly in sunny countries with the result that the cables may then droop from the profiles after only two years. This leads to water damage and loosened plugs because the cables are moved by the wind. We offer you cable ducts for the laying of your cables that can be fixed to our profiles quickly and easily. Moreover, our edge protectors protect your plant from damage at the edges.



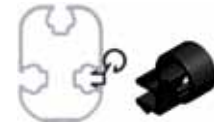
129012-008 **Proklip-S rectangular cable clip for M8 ducts**
rectangular, to be snapped into the M8 screw duct



129005-000 **Proklip-C cable clip for Solo05 and Profi05**
rectangular, to be snapped onto the side of the profile - for Solo05 and Profi05



129012-010 **Proklip2000-B round cable clip for M10 ducts**
round, to be snapped into the M10 screw duct



129012-002 **Proklip2000-P cable clip**
round, to be snapped onto purlins of the S and KP design



129012-001 **Proklip-Q cable clip**
round, to be snapped onto purlins of the S and KP design



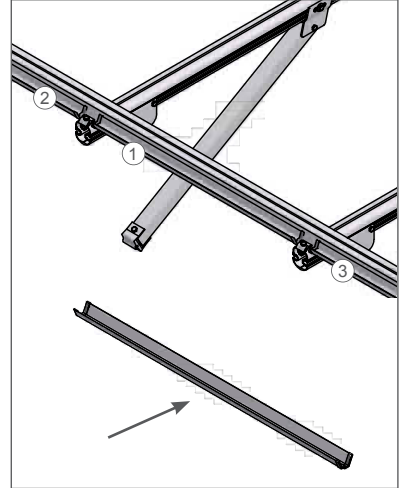
129042-001 **Proklip-F cable tube clip**
round, to be snapped onto the pile-driven foundation and to be combined with a cable tube



	Plastic edge protection	
149000-004	left	closed
149000-005	right	closed
149000-006	left	open
149000-007	right	open



	Cable duct with plastic edge protectors
128014-000	① Interior cable duct, pre-assembled
128014-001	② Exterior left cable duct, pre-assembled
128014-002	③ Exterior right cable duct, pre-assembled



**Our team would be happy to assist you with any specific inquiries.
Further information and our declaration of warranty at www.schletter.eu**